



PLEASE READ

Special Collections item on Interlibrary Loan

Required usage/shipping conditions for this loan:

- Special collections reading room use only.
- Photocopying/scanning by library staff or photography by user is permitted in accordance with U.S. copyright law.
- 45 day loan period; no renewals.
Due date: _____
- No adhesive label, tape, or sticky note may be applied to item.
- Return via UPS or Fedex (no USPS library rate).
- Insurance value for shipping: \$ _____
- Carefully package and return this special collections item in its own box separate from other returns.
- Other instructions:

See reverse for Item Condition Report

Return via UPS/Fedex to:

The Ohio State University Libraries
Interlibrary Services – Lending
1858 Neil Ave Mall
Columbus, OH 43210
614-292-6211
libill@osu.edu

PLEASE READ

Special Collections item on Interlibrary Loan

Required usage/shipping conditions for this loan:

- Special collections reading room use only.
- Photocopying/scanning by library staff or photography by user is permitted in accordance with U.S. copyright law.
- 45 day loan period; no renewals.
Due date: _____
- No adhesive label, tape, or sticky note may be applied to item.
- Return via UPS or Fedex (no USPS library rate).
- Insurance value for shipping: \$ _____
- Carefully package and return this special collections item in its own box separate from other returns.
- Other instructions:

See reverse for Item Condition Report

Return via UPS/Fedex to:

The Ohio State University Libraries
Interlibrary Services – Lending
1858 Neil Ave Mall
Columbus, OH 43210
614-292-6211
libill@osu.edu

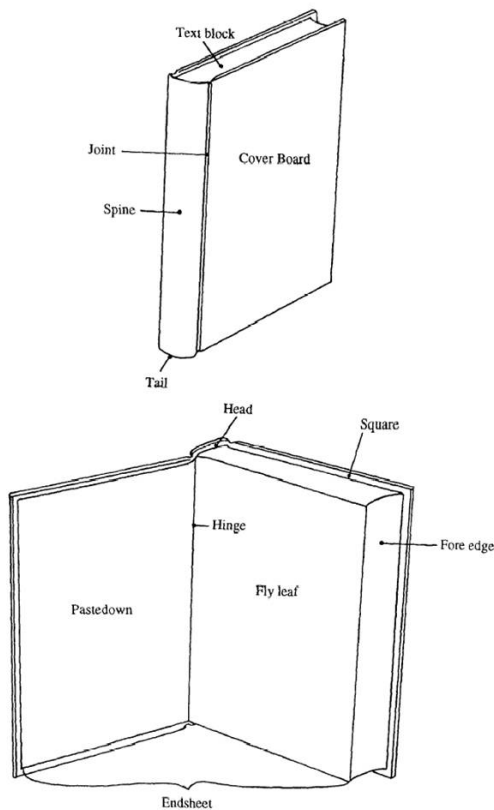
Item Condition Report

- ___ Loose/damaged binding
- ___ Damaged cover
- ___ Damaged spine/head cap/tail cap
- ___ Loose pages
- ___ Pen/pencil/highlighter
- ___ Stains
- ___ Brittle/torn pages
- ___ Water damage
- ___ Other, or details regarding the above:

Item Condition Report

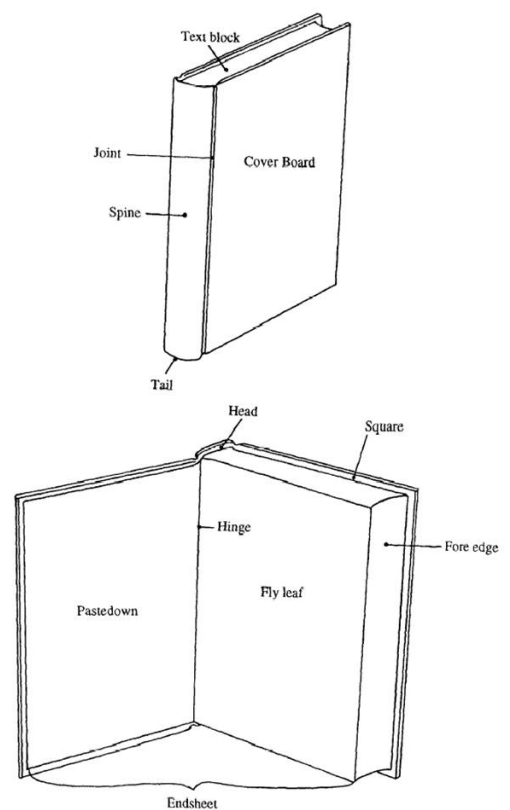
- ___ Loose/damaged binding
- ___ Damaged cover
- ___ Damaged spine/head cap/tail cap
- ___ Loose pages
- ___ Pen/pencil/highlighter
- ___ Stains
- ___ Brittle/torn pages
- ___ Water damage
- ___ Other, or details regarding the above:

Visible areas of damage:



This diagram was created by Margit J. Smith for the Infopeople Project [infopeople.org], supported by the U.S. Institute of Museum and Library Services under the provisions of the Library Services and Technology Act, administered in California by the State Librarian.

Visible areas of damage:



This diagram was created by Margit J. Smith for the Infopeople Project [infopeople.org], supported by the U.S. Institute of Museum and Library Services under the provisions of the Library Services and Technology Act, administered in California by the State Librarian.